

STRAP THREADING PROCESS

Follow the diagram shown on the strap dispenser outer flange for proper strap threading from the dispenser to the table top.

Caution: Power must be turned "OFF" before this procedure is done.

Models NS-3A

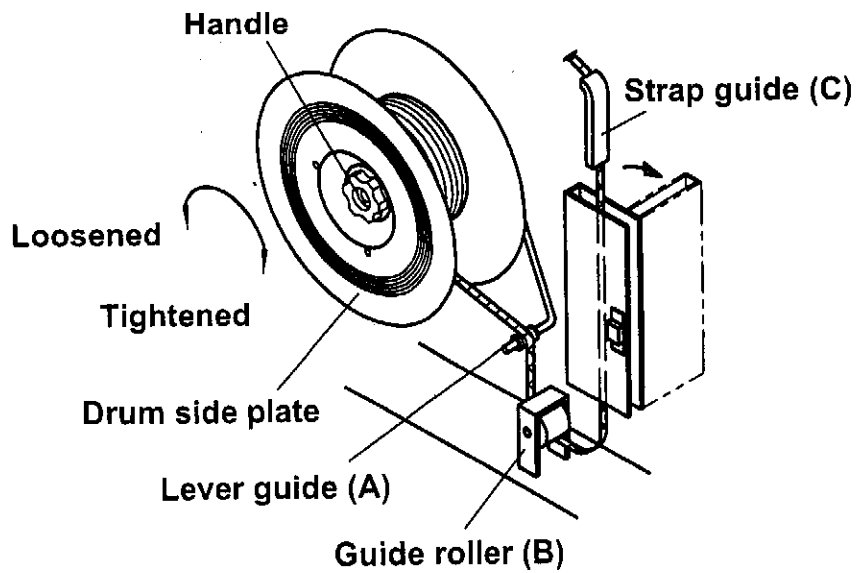


FIG. 3

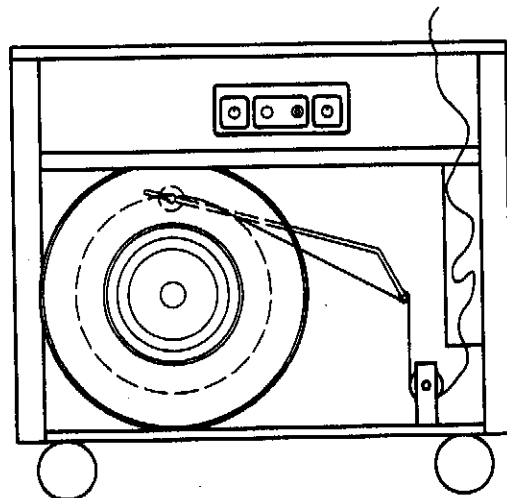


FIG. 4